

Flushometer
Royal Flushometer

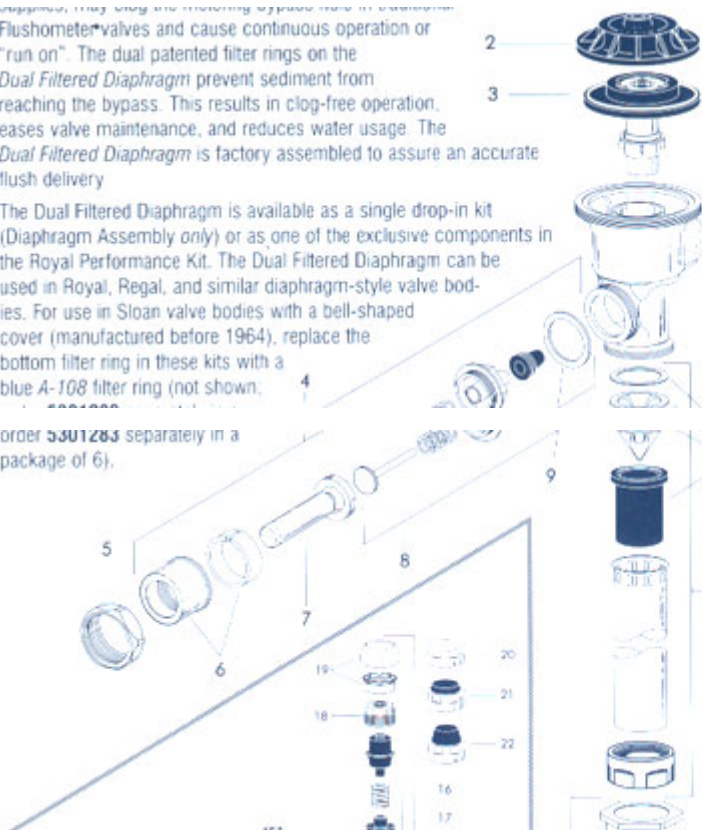
Sloan Royal Flushometer Maintenance Guide

Flushometer valves and cause continuous operation or "run on". The dual patented filter rings on the

Dual Filtered Diaphragm prevent sediment from reaching the bypass. This results in clog-free operation, eases valve maintenance, and reduces water usage. The *Dual Filtered Diaphragm* is factory assembled to assure an accurate flush delivery

The *Dual Filtered Diaphragm* is available as a single drop-in kit (*Diaphragm Assembly only*) or as one of the exclusive components in the Royal Performance Kit. The *Dual Filtered Diaphragm* can be used in Royal, Regal, and similar diaphragm-style valve bodies. For use in Sloan valve bodies with a bell-shaped cover (manufactured before 1964), replace the bottom filter ring in these kits with a blue *A-108* filter ring (not shown).

order **3301283** separately in a package of 6).

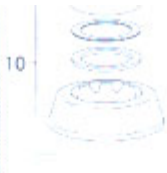


2	0301168	A-71	INSIDE COVER
3	see below	—	Dual Filtered Diaphragm Assembly† (refer to table and diagram below)
4	0302390	B-73-A	CP ADA-Compliant Triple Seal Handle Assembly
5	0301082	A-6	CP Handle Coupling
6	0302109	B-7-A	CP Socket Assembly
7	0302389	B-74-A	CP ADA-Compliant Handle
8	3302306	B-51-A	Triple Seal Handle Repair Kit
9	5301139	A-31	Handle Gasket (package of 48)
10	0306125	F-5-A	3/4" (19 mm) CP Spud Coupling Assembly
	0306140	F-5-A	1-1/4" (32 mm) CP Spud Coupling Assembly
	0306146	F-5-A	1-1/2" (38 mm) CP Spud Coupling Assembly
11	3323182	V-651-A	High Back Pressure Vacuum Breaker Repair Kit
12	3393004	V-600-AA	3/4" (19 mm) x 9" (228 mm) CP Vacuum Breaker
	3393006	V-600-AA	1-1/4" (32 mm) x 9" (228 mm) CP Vacuum Breaker
	3393007	V-600-AA	1-1/2" (38 mm) x 9" (228 mm) CP Vacuum Breaker
13	0308676	H-550	CP Stop Coupling
14	0308801	H-551-A	CP Adjustable Rampiece (2-1/16" (32 mm) long)
15A	5308696	H-553	"O" Ring (package of 24)
15B	5308381	H-552	Locking Ring (package of 12)
16	3308386	H-700-A	1" (25 mm) CP Bak-Chek® Screwdriver Stop
	3308384	H-700-A	3/4" (19 mm) CP Bak-Chek® Screwdriver Stop
17	3308853	H-541-A	Control Stop Repair Kit*
	3308856	H-543-A	Control Stop Repair Kit**
18	0308612	H-622	CP Bonnet*
	0308643	H-577	CP Bonnet**
19	3308772	H-1010-A	Vandal Resistant Control Stop Cap Assembly*
	3308790	H-1009-A	Vandal Resistant Control Stop Cap Assembly**
20	0308840	H-573	Control Stop Cap CP*
	0308848	H-582	Control Stop Cap CP**
21	3308866	H-574	Control Stop Cap with Bumper* (-Y0 Variation)
22	3308867	H-576	Control Stop Cap with Extended Bumper* (-YG Variation)

† The blue A-108 filter ring (not shown) is not included in this assembly.

Tailpieces and Control Stops

For additional information, refer also to Sloan's Tailpiece (0816505) and Control Stop (0816333) Maintenance Guides



Use with Sloan® 1/4" dia. ball and cap (1-2) only when combined with Sloan® ball and cap. Screwdriver Control Stops. ** Use with H-600-A (3/4") Bak-Chek® Screwdriver Control Stops.

Sloan products are also available in Polished Brass, Lustre Gold, and Satin Finishes—contact our Customer Service staff for code numbers. If you have any questions about installation, maintenance, or troubleshooting issues, call our Installation Engineering staff at 1-888-SLOAN-14.

NOTE: Each item is identified by a **Part Number** and a **Code Number**. Expedite processing by using our **Code Number**. Parts shown service all Sloan diaphragm-type flushometers manufactured after 1964, including Low Consumption (LC) models.

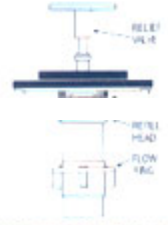
ITEM 3: Dual Filtered Diaphragm™ Assembly ••• Available in DIAPHRAGM ONLY and ROYAL Performance™ Kits

ROYAL Performance™ KIT includes Dual Filtered Diaphragm Assembly (item 3), Handle Repair Kit with Triple Seal Packing (item 8), High Back Pressure Vacuum Breaker Repair Kit (item 11), and one Tailpiece "O" Ring (item 15). **DIAPHRAGM ONLY KIT** contains "drop-in" Dual Filtered Diaphragm Assembly (item 3) ONLY

Performance KIT Code No.	Kit No.	DIAPHRAGM ONLY KIT Code No.	Kit No.	Flush Volume	Use With	Relief Valve§	Refill Head‡	Flow Ring
A	3301070	A-1101-A	3301500	1.5 gpf (5.7 Lpf)	Low Consumption Water Closets	Green	Gray	Smooth
B	3301071	A-1102-A	3301501	3.5 gpf (13.2 Lpf)	Water Saver Water Closets	White	Gray	Smooth
C	3301072	A-1103-A	3301505	2.4 gpf (9.0 Lpf)	9 Liter European Water Closets	Blue	Gray	Smooth
D	3301073	A-1105-A	3301504	0.5 gpf (1.9 Lpf)	Wash Down Urinals	Green	Black	Smooth & Slotted
E	3301074	A-1107-A	3301503	1.0 gpf (3.8 Lpf)	Low Consumption Urinals	Green	Black	Slotted
F	3301075	A-1108-A	3301500	1.5 gpf (5.7 Lpf)	Water Saver Urinals	Black	Black	Smooth

§ Consult Sloan Valve Company for availability of replacement plastic Relief Valves (Green, Black, Blue, and White) and brass Relief Valves.

NOTE: For older water closets that require 4.5 gpf (17.0 Lpf), choose kits shown on line B, but remove the Flow Ring before use. For blowout-style urinals that require 3.5 gpf (13.2 Lpf), choose kits shown on line B. For service sinks that require 6.5 gpf (24.6 Lpf), order **A-36-A** diaphragm repair kit (3301036, not shown above) and remove the Flow Ring before use. Regulations for Low Consumption fixtures prohibit the use of higher flush volumes.



The colors of the Relief Valve and the Refill Head plus the shape of Flow Ring identify the Flush Volume of a DUAL FILTERED DIAPHRAGM ASSEMBLY

‡ Closet Refill Heads (Gray) have larger slots than Urinal Refill Heads (Black)

This page comes from Plumbing Supplies | Plumbing Parts | Plumbing Repair | Jacksonville | Florida | DARSCO Plumbing Supply: <http://www.darsco-plumbing-supply.com/html/>

The URL for this page is: <http://www.darsco-plumbing-supply.com/html/modules.php?name=Content&pa=showpage&pid=36>